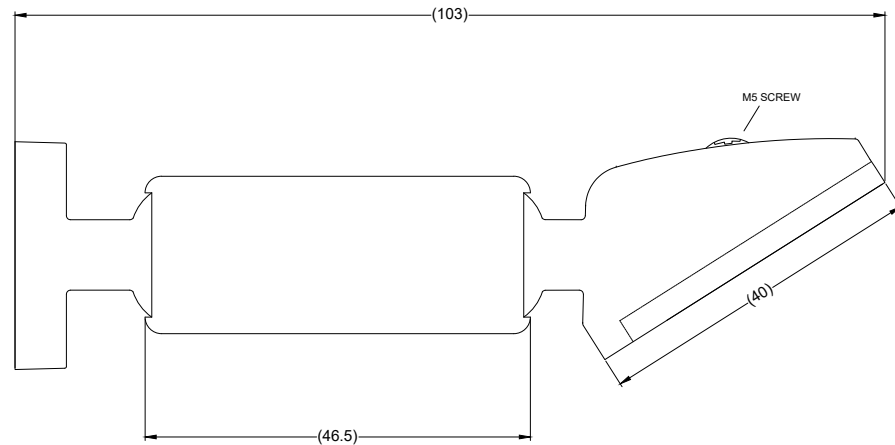
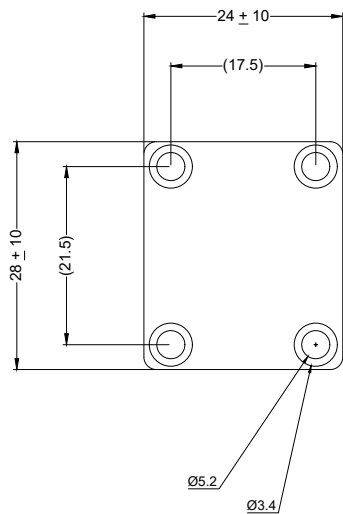


Revision Notes.				
R1 -				
APA: -	Drawn:-	Checked:-	Approved:-	Date: -



- NOTES:
1. MATERIAL: STEEL.
 2. FINISH: BLACK.
 3. ADHESIVE PAD (REQUIRED TO MOUNT TO WINDSCREEN) NOT SUPPLIED.
 4. FOR PACKAGING DETAIL REFER TO MASTER BOM.
 5. BRIGADE IS NOT RESPONSIBLE FOR ANY CUSTOMER MODIFICATION OF THIS PRODUCT.

PROPRIETARY NOTICE
 THIS DESIGN AND TECHNICAL INFORMATION APPEARING ON THIS DRAWING IS THE PROPERTY OF BRIGADE ELECTRONICS, AND IS DISCLOSED IN CONFIDENCE. IT IS NOT TO BE COPIED, REPRODUCED, REVEALED TO OR EXPROPRIATED BY OTHERS, EITHER IN WHOLE OR IN PART WITHOUT THE EXPRESS WRITTEN CONSENT OF BRIGADE ELECTRONICS.

BRIGADE®

Assembly Pl Approval Y.ZHANG 15/06/17		Approved by B.JOHN		Checked by R.BATES		Drawn by S.LAVER	
Angle of Projection		Units mm	Scale N/A	Released 22/06/17	Assembly Ref -		
Third Angle		Status RELEASED	VBV-243M-BKT				
		Part No 5326	BE-003705-00-17				